

ACCURACY

** Accuracy: $\pm(0.015\%$ of reading*), $\pm(0.025\%$ of reading*), or $\pm(0.05\%$ of reading)

Repeatability: $\pm 0.005\%$ of reading

Temperature Coefficient: $\pm 0.00167\%$ of rdg / °C outside of 23°C

* Down to 10 inH₂O.

$\pm(0.05\%$ of reading) below 10 inH₂O

** See ordering information for details.

WEIGHT MASSES

Pressure Range: **0.145 to 30 psi / 1 to 200 kPa**

Gravity: **9.80655 m/s² (International standard)**
Local Gravity (Specify)

Available Units: **psi, g/cm², mbar, bar, inH₂O, cmH₂O, mmHg**

Water Column Reference: **20°C (ISA standard)**
60°F (AGA standard, specify when ordering)

PRESSURE SOURCE

Source: **Nitrogen or Instrument /Shop air** ♦

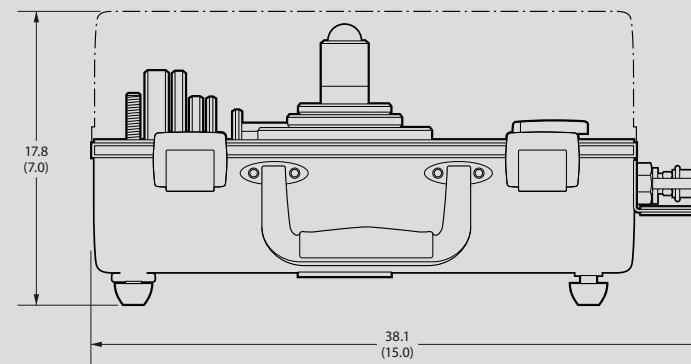
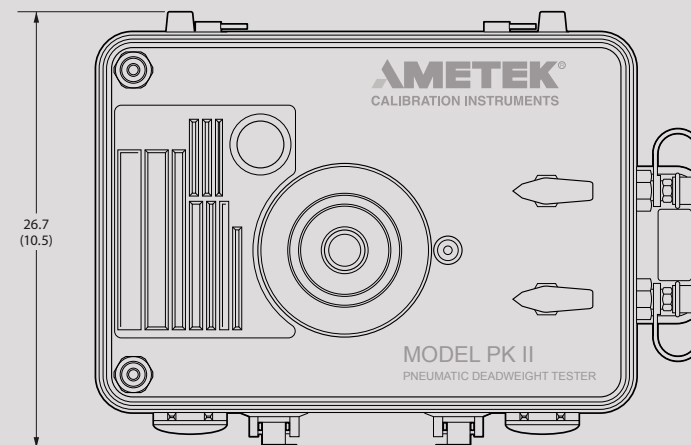
Maximum Supply Pressure: **100 psi / 689 kPa**

Minimum Supply Pressure: **30 psi / 206 kPa** ♦♦

Flow Rate: **1 scfh at 0.15 psi / 28 slh at 1 kPa output**
1 scfh at 20 psi / 310 slh at 200 kPa output

♦ ISA quality standard 7.3.

♦♦ Or 150% of desired output pressure.



ALL DIMENSIONS IN CM (IN)

Models 304 and 404.

ENCLOSURE

Small Case Dimensions (L x W x H): **15 x 10.5 x 7 in (38.1 x 26.7 x 17.8 cm)**

Large Case Dimensions (L x W x H): **15 x 14.5 x 9 in (38.1 x 36.8 x 22.9 cm)**

Weight: **to 28 lb (12.7 kg)**

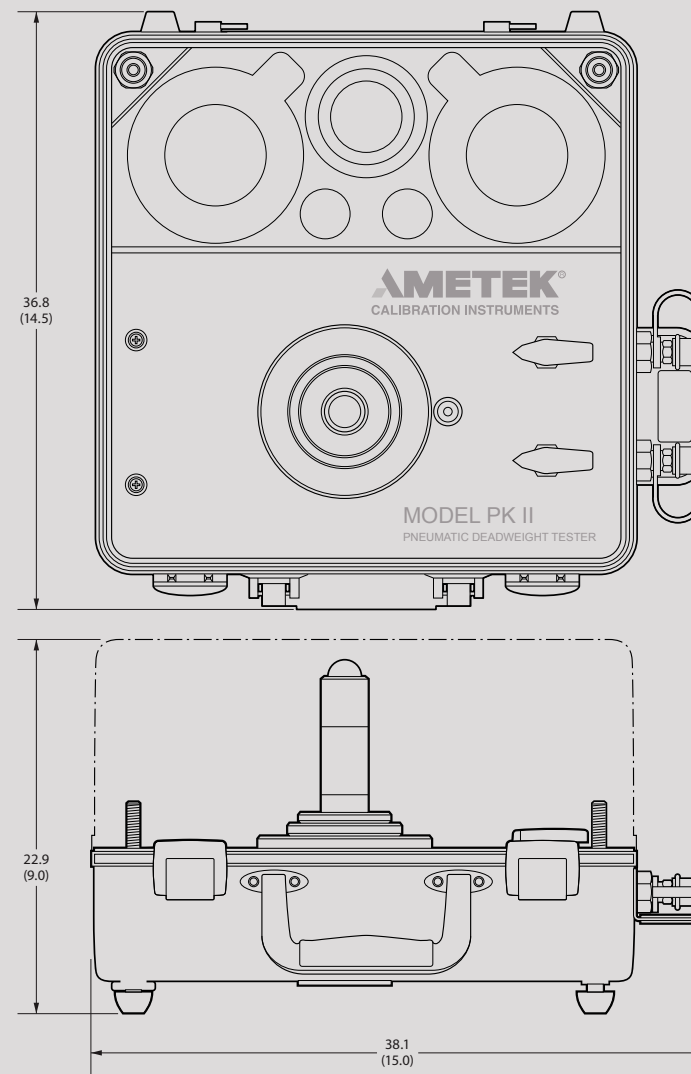
See the Models, Specifications, and Options table for details.

MATERIAL AND CONNECTION

Weight Masses: **Stainless Steel (as standard)**
Aluminum (small incremental weights)

Ball: **Ceramic**

Connection: **1/4" Female NPT (with installed adapter to 1/4 tube fitting)**



ALL DIMENSIONS IN CM (IN)

Models 20SS, 30SS, 250WC, 650WC, 654WC, 850WC, 854WC, 2000GM, 2010GM, 200N, 201N, 325MMHG, 500CM, 1000CM, 1500CM, 2000CM, 700MB, 2B, and 2B01.

MODELS, SPECIFICATIONS, AND OPTIONS

Model	Certified Range	Increment	Weight Carrier and Ball Output
PK2-20-SS	1 to 20 psi	1 psi	1 psi
PK2-30-SS	1 to 30 psi	1 psi	1 psi
PK2-2000GM-SS	25 to 2000 g/cm ²	25 g/cm ²	25 g/cm ²
PK2-2010GM-SS	10 to 2000 g/cm ²	5 g/cm ²	10 and 25 g/cm ²
PK2-700MB-SS	10 to 700 mbar	20 mbar	20 mbar
PK2-2B-SS	0.02 to 2 bar	0.02 bar	0.02 bar
PK2-2B.01-SS	0.01 to 1 bar	0.005 bar	0.01 and 0.02 bar
PK2-200N-SS	2 to 200 kPa	2 kPa	2 kPa
PK2-201N-SS	1 to 200 kPa	0.5 kPa	1 and 2 kPa
PK2-250WC-SS	10 to 250 inH ₂ O	10 inH ₂ O	10 inH ₂ O
PK2-304WC-SS*	4 to 304 inH ₂ O	1 inH ₂ O	4 inH ₂ O
PK2-404WC-SS*	4 to 404 inH ₂ O	1 inH ₂ O	4 inH ₂ O
PK2-650WC-SS	10 to 650 inH ₂ O	10 inH ₂ O	10 inH ₂ O
PK2-654WC-SS	4 to 654 inH ₂ O	1 inH ₂ O	4 and 10 inH ₂ O
PK2-850WC-SS	10 to 850 inH ₂ O	10 inH ₂ O	10 inH ₂ O
PK2-854WC-SS	4 to 854 inH ₂ O	1 inH ₂ O	4 and 10 inH ₂ O
PK2-500CM-SS	10 to 500 cmH ₂ O	10 cmH ₂ O	10 cmH ₂ O
PK2-1000CM-SS	10 to 1000 cmH ₂ O	10 cmH ₂ O	10 cmH ₂ O
PK2-1500CM-SS	10 to 1500 cmH ₂ O	10 cmH ₂ O	10 and 25 cmH ₂ O
PK2-2000CM-SS	10 to 2000 cmH ₂ O	10 cmH ₂ O	10 and 25 cmH ₂ O
PK2-325MMGH-SS	10 mmHg to 325 mmHg	1mmHg	10 mmHg

* Small case models. All others are large case models.

► Calibration and Accuracy Options

(specify standard or local gravity)

Suffix	Accuracy	Data
(omit)	± (0.05% of reading)	○
/C	± (0.05% of reading)	●
-1B	± (0.025% of reading)	○
-1B/C	± (0.025% of reading)	●
-1A	± (0.015% of reading)	○
-1A/C	± (0.015% of reading)	●

○ Standard traceable certificate.

● Includes effective area, nominal pressure, and actual pressure data.

STANDARD DELIVERY

- Tester base with case
- Weight Set
- Manual
- NIST Traceable Certificate
- Tubing Kit [P/N K-1082](#)

ACCESSORIES

Gauge Pointer Puller Set [P/N 1GT-99](#)

Tripod [P/N K-1562](#)

Adapter to CPF Fitting Line [P/N MPF-1/4TBM](#)

CPF Hose [P/N P/N MPH-1](#) (additional sizes and custom lengths available)

Small Incremental Weights for psi and inH₂O models only

Conversion Weight Sets convert to different model (eg. psi to bar)

COMPLEMENTARY PRODUCTS

AMETEK offers a wide range of products that work with the PKII:

- [Fittings that connect without tools, safely and without leads](#)
- [Lightweight, super flexible high pressure hose](#)
- [Digital Test Gauge](#)
- [Reference Recorder](#)
- [Pressure Calibrator](#)

ORDERING INFORMATION

► Sample Part Numbers

PK2-20-SS 0.05 % of reading, 1 to 20 psi range.

PK2-2B-SS -/C 0.05 % of reading, 0.02 to 2 bar range, with test data.

PK2-850WC-SS -1A/C 0.015 % of reading, 10 to 850 inH₂O range, with test data.