

REVISIONS			
REV.	DESCRIPTION	DATE	APPROVED
0	RELEASED FOR PRODUCTION	6/15/05	ON FILE
D	INCORPORATED REV D XP2I	10/16/12	ON FILE
E	INCORPORATED REV E XP2I	7/29/2013	ON FILE
F	INCORPORATED "SEALED" DESIGN	10/12/2015	ON FILE
F1	CORRECTED MEDIA COMPATIBILITY ERROR	2/7/2019	ON FILE

**SPECIFICATIONS**

**PRESSURE:** SEE AVAILABLE PRESSURE RANGES CHART

**ACCURACY:**  
 0% TO 20% OF FULL SCALE: ±0.02% OF FULL SCALE  
 20% TO 100% OF FULL SCALE: ±0.1% OF READING

**VACUUM:** (ONLY APPLIES TO 300 PSI AND BELOW GAUGES)  
 0 TO -14.5 PSIG: ±0.25% OF FULL SCALE (-14.5 PSI)

**POWER:** 3 AAA ALKALINE BATTERIES

**PRESSURE CONNECTION:** 1/8"-27 FEMALE NPT

**ELECTRICAL INTERFACE:** DB9F CONNECTOR, RS232

**ENCLOSURE:** STAINLESS STEEL PANEL, "AUTOFLEX-EBG10" POLYESTER MEMBRANE SWITCH PANEL, AND ABS REAR COVER.

**WEIGHT:** 2.5 lbs (1.1kg)

**PRESSURE PORT MEDIA COMPATABILITY:** LIQUID AND GASES COMPATIBLE WITH 303 STAINLESS STEEL SENSOR MANIFOLD; 316 STAINLESS STEEL SENSOR

**OPERATING AND COMPENSATED TEMPERATURE RANGE:** -10°C TO +50°C (14°F TO 122°F).

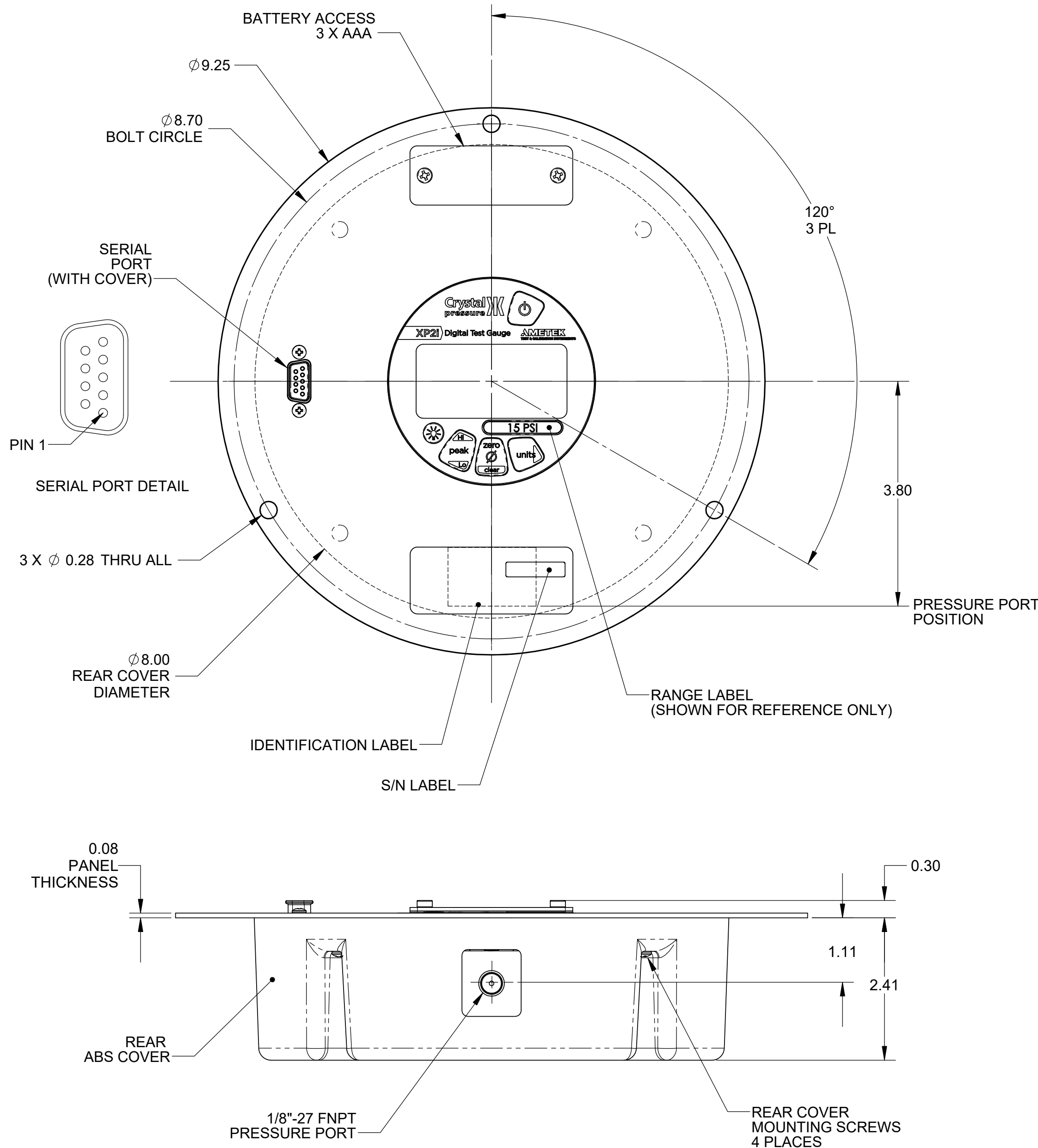
**STORAGE TEMPERATURE RANGE:** -40°C TO +70°C (-40°F TO 158°F).

**CERTIFICATIONS:** NONE

SPECIFICATIONS SUBJECT TO CHANGE WITHOUT NOTICE.

AVAILABLE PRESSURE RANGES CHART			
UNIT OF MEASURE	PRESSURE RANGE	GAUGE P/N	ABSOLUTE P/N
PSI	15	WT15PSI-1000	-
	30	WT30PSI-1000	-
	100	WT100PSI-1000	-
	300	WT300PSI-1000	-
	500	WT500PSI-1000	-
	1000	WT1KPSI-1000	-
	2000	WT2KPSI-1000	WT2KPSIB-1000
	3000	WT3KPSI-1000	WT3KPSIB-1000
	5000	WT5KPSI-1000	WT5KPSIB-1000
	10000	WT10KPSI-1000	WT10KPSIB-1000
BAR	1	WT1BAR-1000	-
	2	WT2BAR-1000	-
	7	WT7BAR-1000	-
	20	WT20BAR-1000	-
	30	WT30BAR-1000	-
	70	WT70BAR-1000	-
	140	WT140BAR-1000	WT140BARB-1000
	200	WT200BAR-1000	WT200BARB-1000
KPA	100	WT100KPA-1000	-
	200	WT200KPA-1000	-
	700	WT700KPA-1000	-
	2000	WT2KKPA-1000	-
	3000	WT3KKPA-1000	-
	7000	WT7KKPA-1000	-
	14000	WT14KKPA-1000	WT14KKPAB-1000
	20000	WT20KKPA-1000	WT20KKPAB-1000
	30000	WT30KKPA-1000	WT30KKPAB-1000
	70000	WT70KKPA-1000	WT70KKPAB-1000

NOTE: ALL RANGES SHOWN ARE ALSO AVAILABLE IN A-DD (DUAL DISPLAY) VERSION  
 PART NUMBER EXAMPLE: WT100KPA-DD-1000



**PROPRIETARY NOTICE**  
 THIS DOCUMENT AND ANY DATA DISCLOSED HEREIN IS THE SOLE PROPERTY OF CRYSTAL ENGINEERING CORPORATION AND MAY NOT BE REPRODUCED, USED OR DISCLOSED IN PART OR IN WHOLE, TO ANYONE WITHOUT THE WRITTEN CONSENT OF CRYSTAL ENGINEERING CORPORATION.

UNLESS OTHERWISE SPECIFIED DIMENSIONS ARE IN INCHES  
 TOLERANCES ARE:  
 FRACTIONS DECIMALS ANGLES  
 .XXX ± .005  
 .XXXX ± .001

**CRYSTAL** (805) 595-5477  
 engineering corporation www.crystalengineering.net

**WT-1000 SERIES GAUGE**

APPROVALS	DATE	SCALE: 1:1	SIZE <b>C</b>	DRAWING NO. <b>3315</b>	REV <b>F1</b>
DRAWN M.J.Cain	6/15/2005				
CHECKED D.Porter	6/15/2005				
MFG. ENGR. M.J.Cain	6/15/2005				
Q.A. M.Merrill	6/15/2005	DO NOT SCALE DRAWING		SHEET 1 OF 1	