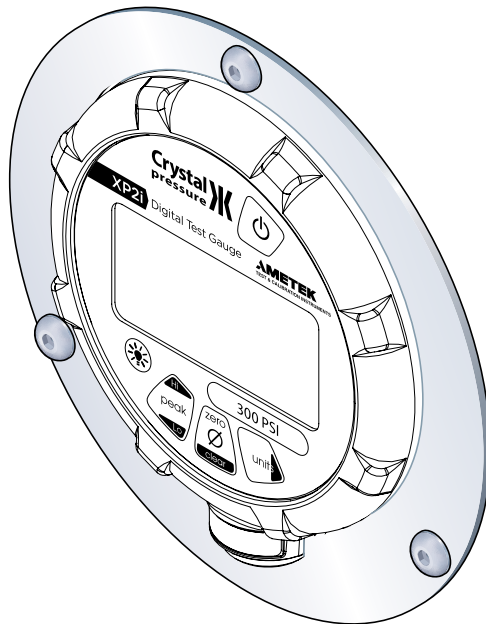
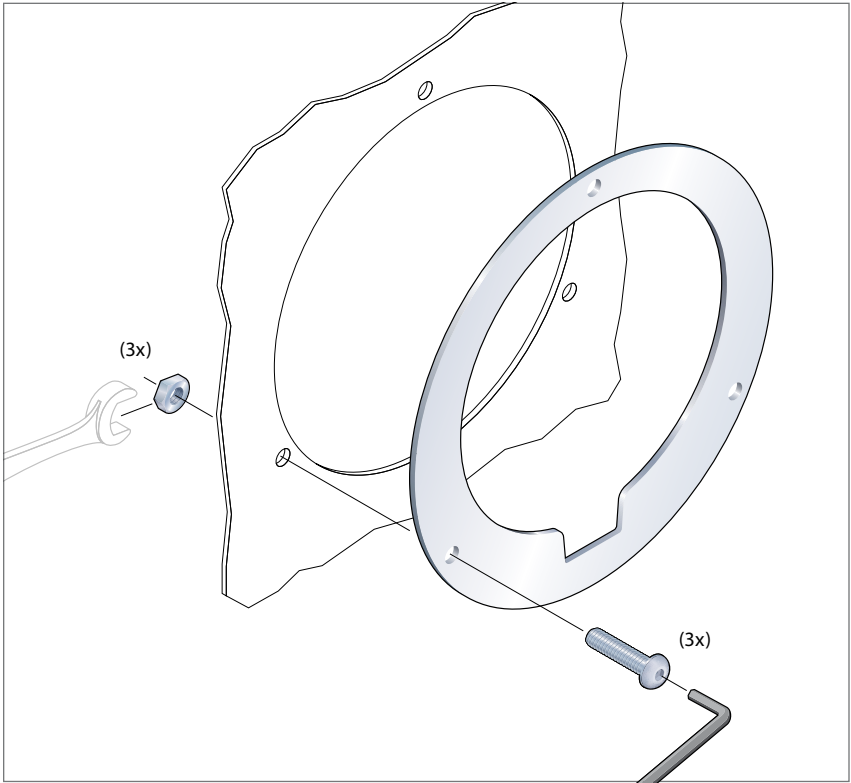


XP2i

Flange Mounting Kit

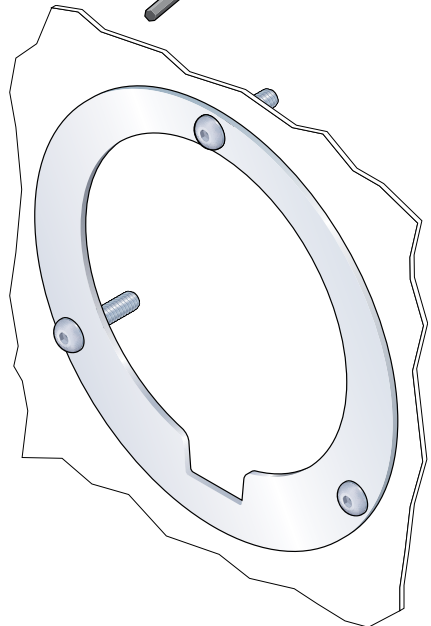
Instruction Manual

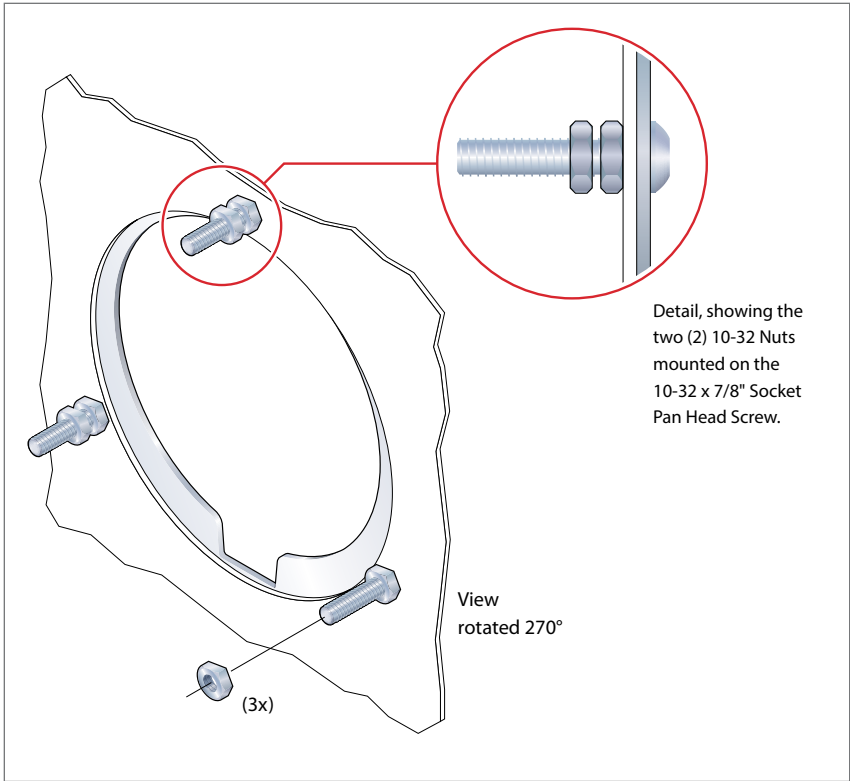




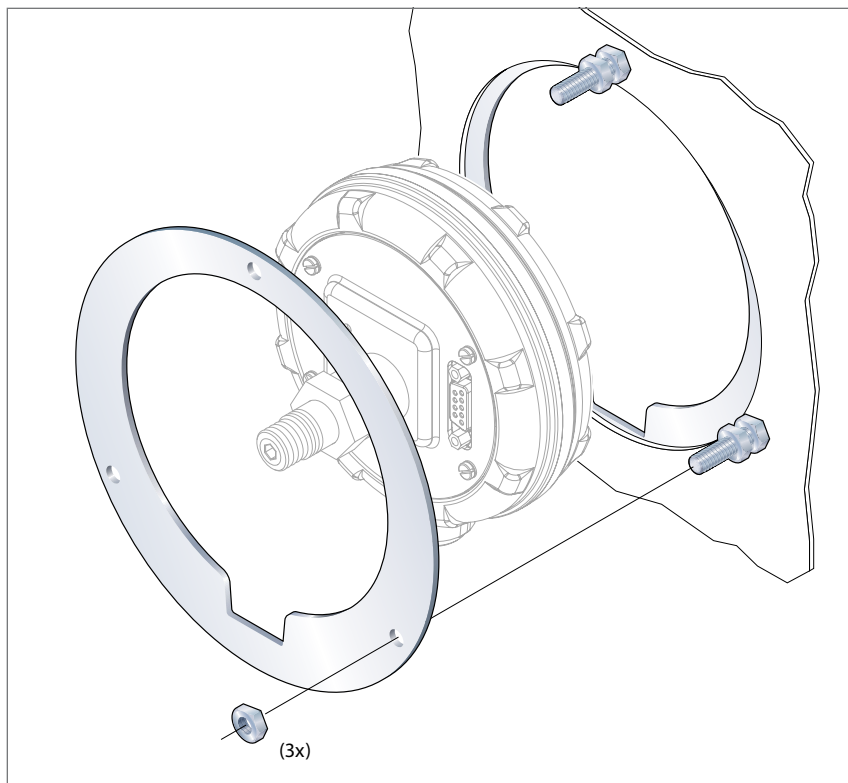
- 1** Prepare the panel opening per the diagram on page 6.
- 2** Install the Front Flange using three (3) 10-32 x 7/8" Socket Pan Head Screws and three (3) 10-32 Nuts.
- 3** Tighten using a 3/8" wrench and the provided Hex Key.

Note: If necessary, the 10-32 Nuts can be installed from the front, working through the cut-out hole.





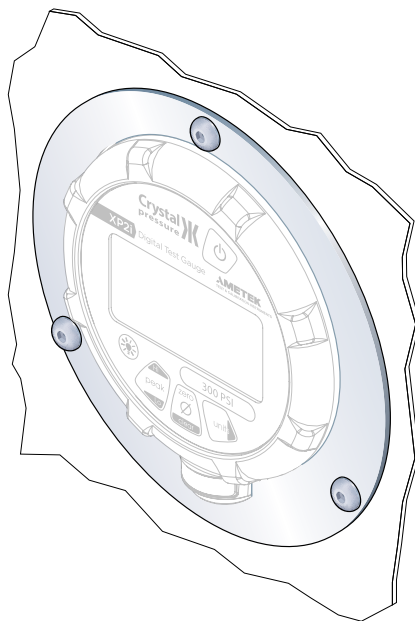
- 4** Install one (1) additional 10-32 Nut onto each screw. Hand-tighten only.

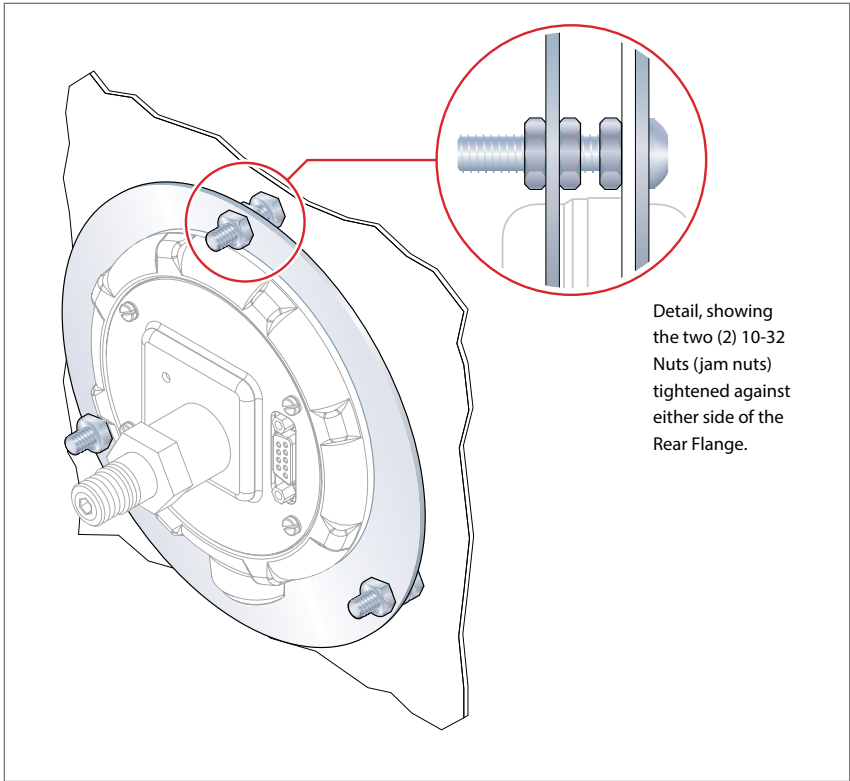


5 From the back side, install the Rear Port XP2i.

6 Install the Rear Flange over the XP2i using three (3) 10-32 Nuts. Tighten using a 3/8" wrench until the Rear Flange securely clamps the XP2i.

Note: Do not overtighten.

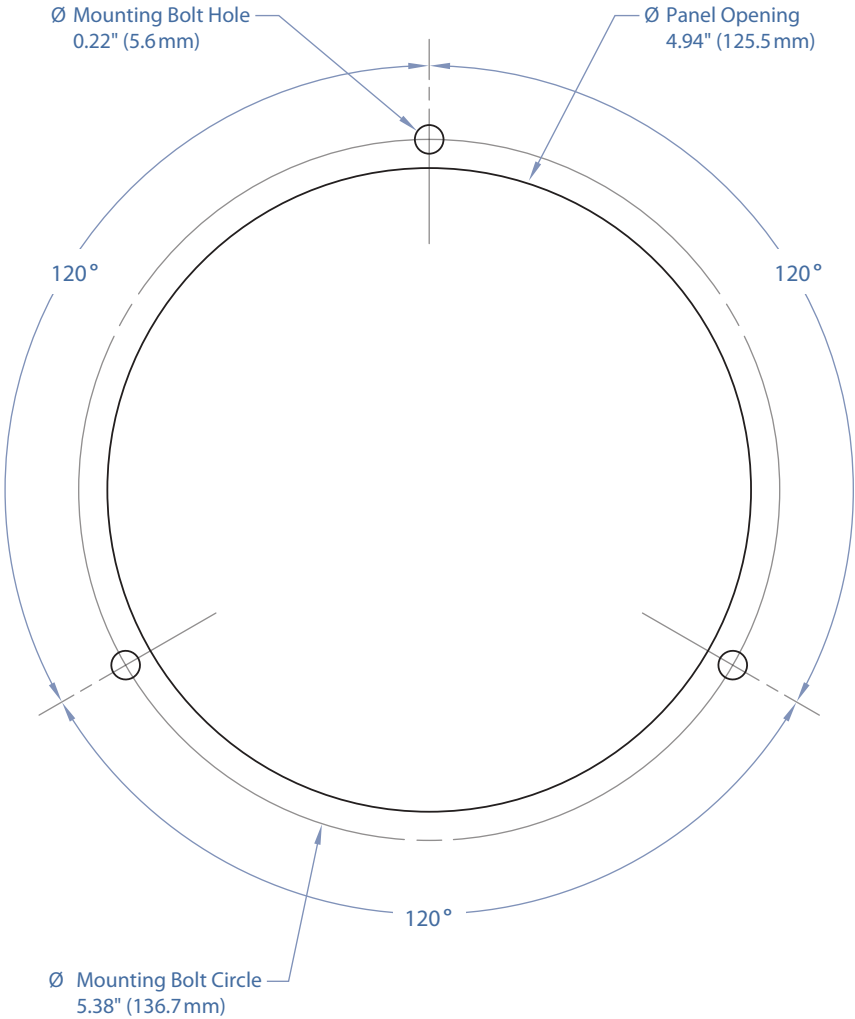




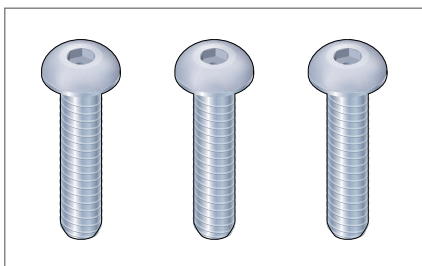
- 7** Back out each of the three (3) hand-tight nuts installed in step 3, until they fit snugly against the Rear flange.
- 8** Using a 3/8" wrench, tighten each of the three (3) nuts against the Rear Flange.

Note: Due to the use of double nuts (aka jam nuts) the final assembly will be vibration resistant.

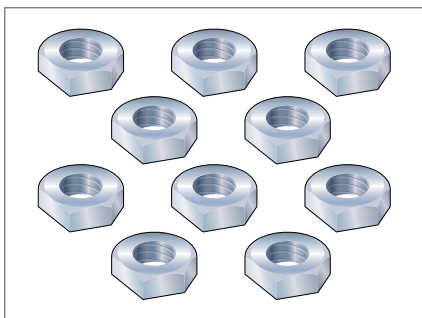
FLANGE MOUNTING DIAGRAM



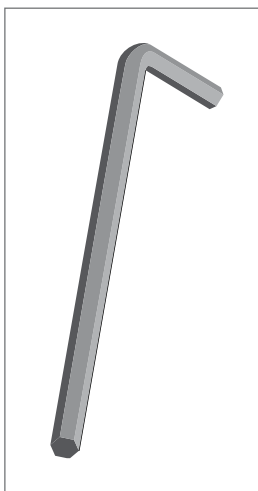
INCLUDED PARTS



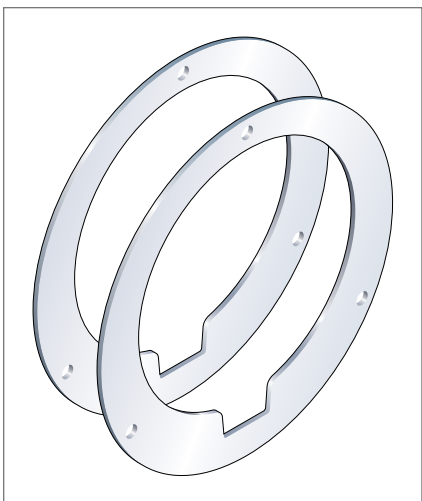
QTY 3 10-32 x 7/8" Socket Pan Head Screws



QTY 10 10-32 Nuts



QTY 1 Hex Key



QTY 2 Flanges



© 2013 Crystal Engineering Corporation

708 Fiero Lane, Suite 9, San Luis Obispo, California 93401-8701

