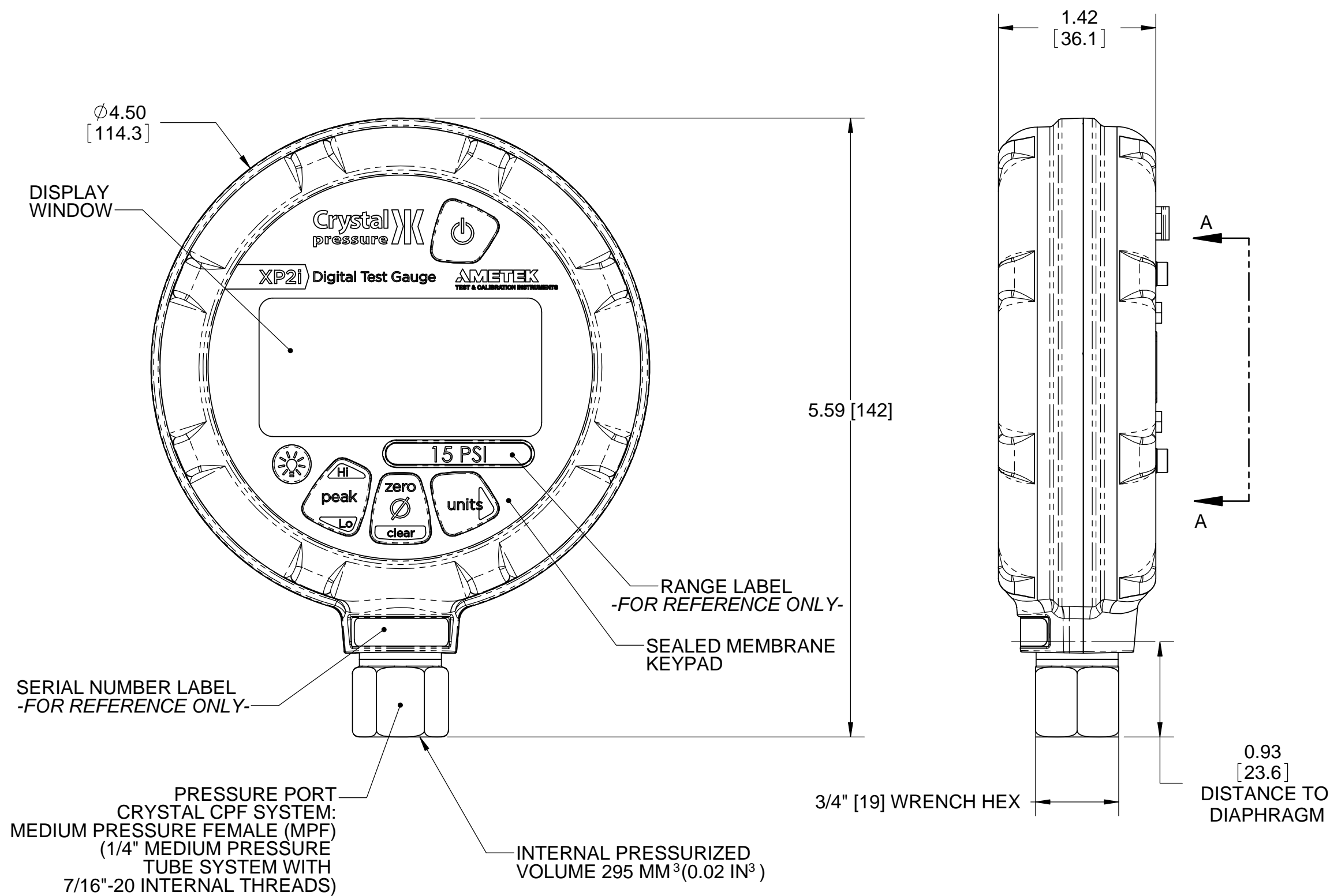


REVISIONS			
REV.	DESCRIPTION	DATE	APPROVED
A	INITIAL RELEASE	10/11/12	ON FILE
B	UPDATED GRAPHICS AND ADDED CSA	7/15/2013	ON FILE
C	ADDED 15KPSI VERSIONS		



SPECIFICATIONS

PRESSURE RANGE: SEE PRESSURES AND RESOLUTIONS CHART

PRESSURE ACCURACY: 20 - 100% OF FULL SCALE ±(0.1% OF READING)
0 - 20% OF FULL SCALE ±(0.02% OF FULL SCALE)

VACUUM ACCURACY: (ONLY APPLIES TO 300 PSI AND LOWER PRESSURE GAUGES)
0 to -100.0 kPa (-14.5 PSIG): ±0.25% OF FULL SCALE
WHERE FULL SCALE: -100.0 kPa (-14.5 PSIG)

POWER: THREE AA (1.5V) AA: RAYOVAC MAXIMUM PLUS, ENERGIZER® E91, ENERGIZER® EN91, OR DURACELL MN1500. USE OF ANY OTHER BATTERY VOIDS INTRINSIC SAFETY RATINGS

PRESSURE CONNECTION: CRYSTAL CPF SYSTEM: MEDIUM PRESSURE FEMALE (MPF) (1/4" MEDIUM PRESSURE TUBE SYSTEM WITH 7/16"-20 INTERNAL THREADS)

ENCLOSURE: NICKEL-PLATED ALUMINUM ALLOY CASE, AUTOFLEX-EBG10 MEMBRANE SWITCH PANEL.

ENCLOSURE RATING: DESIGNED TO MEET NEMA4/IP67

WEIGHT: 19.8 oz (562 g)

PRESSURE PORT MEDIA COMPATIBILITY: LIQUID AND GASES COMPATIBLE WITH 316L SS SENSOR.

OPERATING AND COMPENSATED TEMPERATURE RANGE: -10°C TO +50°C (14°F TO 122°F).

STORAGE TEMPERATURE RANGE: -40°C TO +75°C (-40°F TO 167°F).

CERTIFICATIONS:

INTRINSICALLY SAFE:

CSA: CLASS I, DIVISION 1, GROUPS A, B, C, AND D - T4/T3C (CANADA AND U.S.)

ATEX: II 1G Ex ia IIC T4/T3 Ga FTZU 12 ATEX 0048X

IECEx SCHEME: Ex ia IIC T4/T3 Ga IECEx FTZU 12.0009X

OTHER:

C-TICK: COMPLIES WITH AUSTRALIAN C-TICK

DNV: COMPLIES WITH DNV'S RULES FOR CLASSIFICATION OF SHIPS, HSLC AND OFFSHORE STANDARDS

DIMENSIONS ARE IN INCHES [MILLIMETERS]

SPECIFICATIONS SUBJECT TO CHANGE WITHOUT NOTICE.

PROTECTIVE BOOT OPTION SHOWN ON SHEET 2

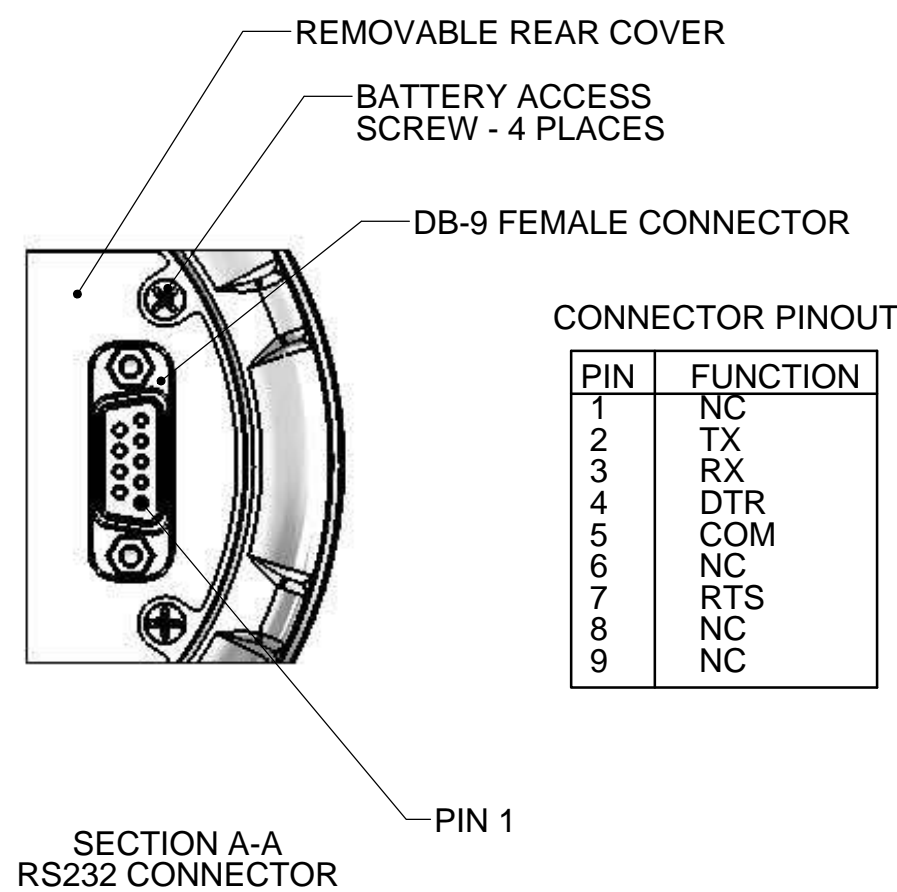
MOUNTING FLANGE AND REAR PORT OPTIONS SHOWN ON SHEET 2

PRESSURES AND RESOLUTIONS

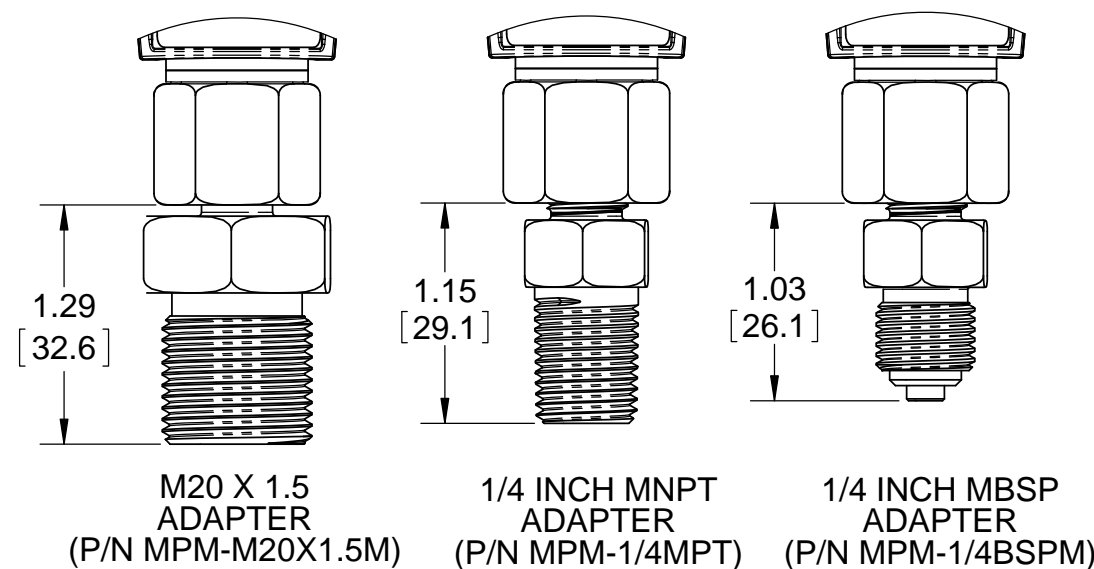
AVAILABLE PRESSURES				AVAILABLE UNITS AND DISPLAY RESOLUTIONS									
PSI	bar	kPa (1)	ALLOWED OVERPRESSURE PSI	PSI	kg/cm2	"Hg	"H2O	mmHg	mmH2O	bar	mbar	kPa	MPa
15	1	100	100	0.001	0.0001	0.001	0.01	0.01	1	0.0001	0.1	0.01	
30	2	200	100	0.001	0.0001	0.001	0.01	0.1	1	0.0001	0.1	0.01	
100	7	700	200	0.01	0.0001	0.01	0.1	0.1	1	0.0001	0.1	0.01	
300	20	2000	600	0.01	0.001	0.01	0.1	1		0.001	1	0.1	
500	30	3000	1000	0.01	0.001	0.1	1	1		0.001	1	0.1	
1000	70	7000	2000	0.1	0.001	0.1				0.001		0.1	
2000	140	14000	4500	0.1	0.01	0.1				0.01		1	0.001
3000	200	20000	4500	0.1	0.01	0.1				0.01		1	0.001
5000	300	30000	7500	0.1	0.01	1				0.01		1	0.001
10000	700	70000	15000	1	0.01					0.01		1	0.001
15000	1000	100000	20000	1	0.01					0.01		1	0.001

VACUUM AND RESOLUTIONS

APPLICABLE PRESSURES			AVAILABLE UNITS AND DISPLAY RESOLUTIONS								
PSI	bar	kPa	PSI	kg/cm2	"Hg	"H2O	mmHg	mmH2O	kPa	bar	mbar
15	1	100	0.001	0.0001	0.001	0.01	0.01	1	0.01	0.0001	0.1
30	2	200	0.001	0.0001	0.001	0.01	0.1	1	0.01	0.0001	0.1
100	7	1000	0.01	0.0001	0.01	0.1	0.1	1	0.01	0.0001	0.1
300	20	2000	0.01	0.001	0.01	0.1	1		0.01	0.001	1



ADDITIONAL SENSOR LENGTH WITH OPTIONAL FITTING ADAPTERS



(1) kPa MODELS DISPLAY PRESSURE IN kPa, MPa, bar, mbar if applicable.

PROPRIETARY NOTICE
THIS DOCUMENT AND ANY DATA DISCLOSED HEREIN IS THE SOLE PROPERTY OF CRYSTAL ENGINEERING CORPORATION AND MAY NOT BE REPRODUCED, USED OR DISCLOSED IN PART OR IN WHOLE, TO ANYONE WITHOUT THE WRITTEN CONSENT OF CRYSTAL ENGINEERING CORPORATION.

UNLESS OTHERWISE SPECIFIED DIMENSIONS ARE IN INCHES
TOLERANCES ARE:
FRACTIONS DECIMALS ANGLES
.XXX ± .005
.XXXX ± .001

CRYSTAL (805) 595-5477
engineering corporation www.crystalengineering.net

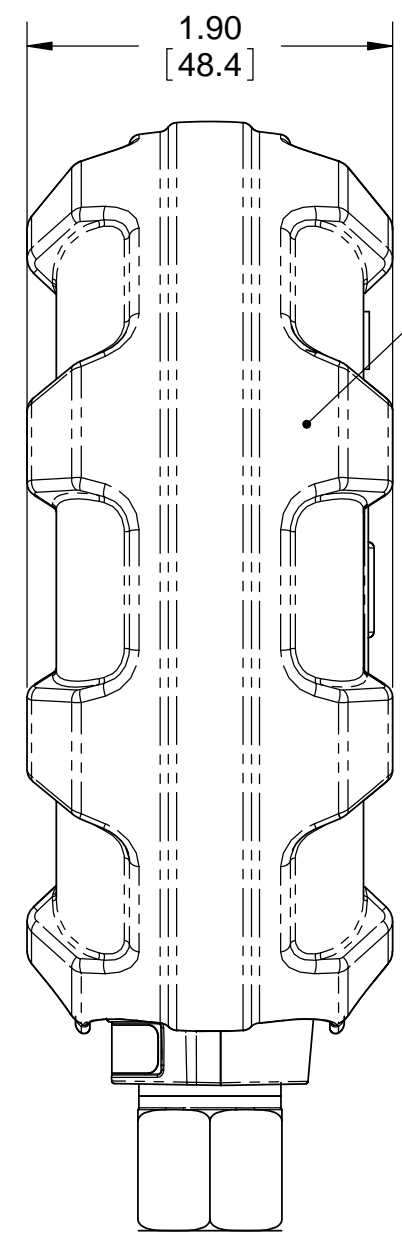
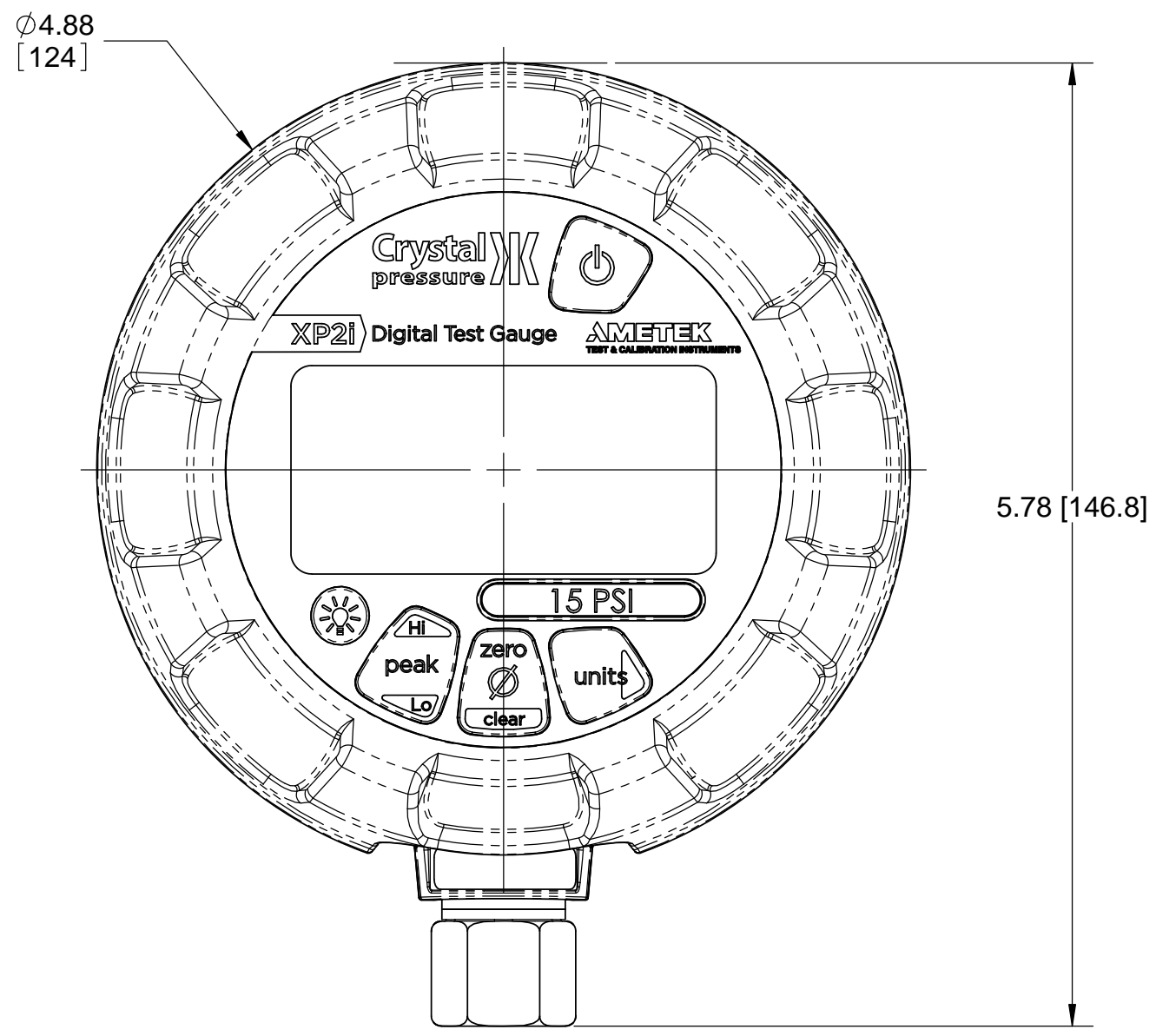
XP21 SERIES PRESSURE GAUGE

APPROVALS	DATE
DRAWN M.J.Cain	9/26/12
CHECKED T.Leger	10/11/12
MFG. ENGR. M.J.Cain	10/11/12
Q.A. D.Porter	10/11/12

SCALE: 1:1 SIZE **C** DRAWING NO. **4994** REV **C**

DO NOT SCALE DRAWING SHEET 1 OF 2

REVISIONS			
REV.	DESCRIPTION	DATE	APPROVED
-	See Sheet1	-	-

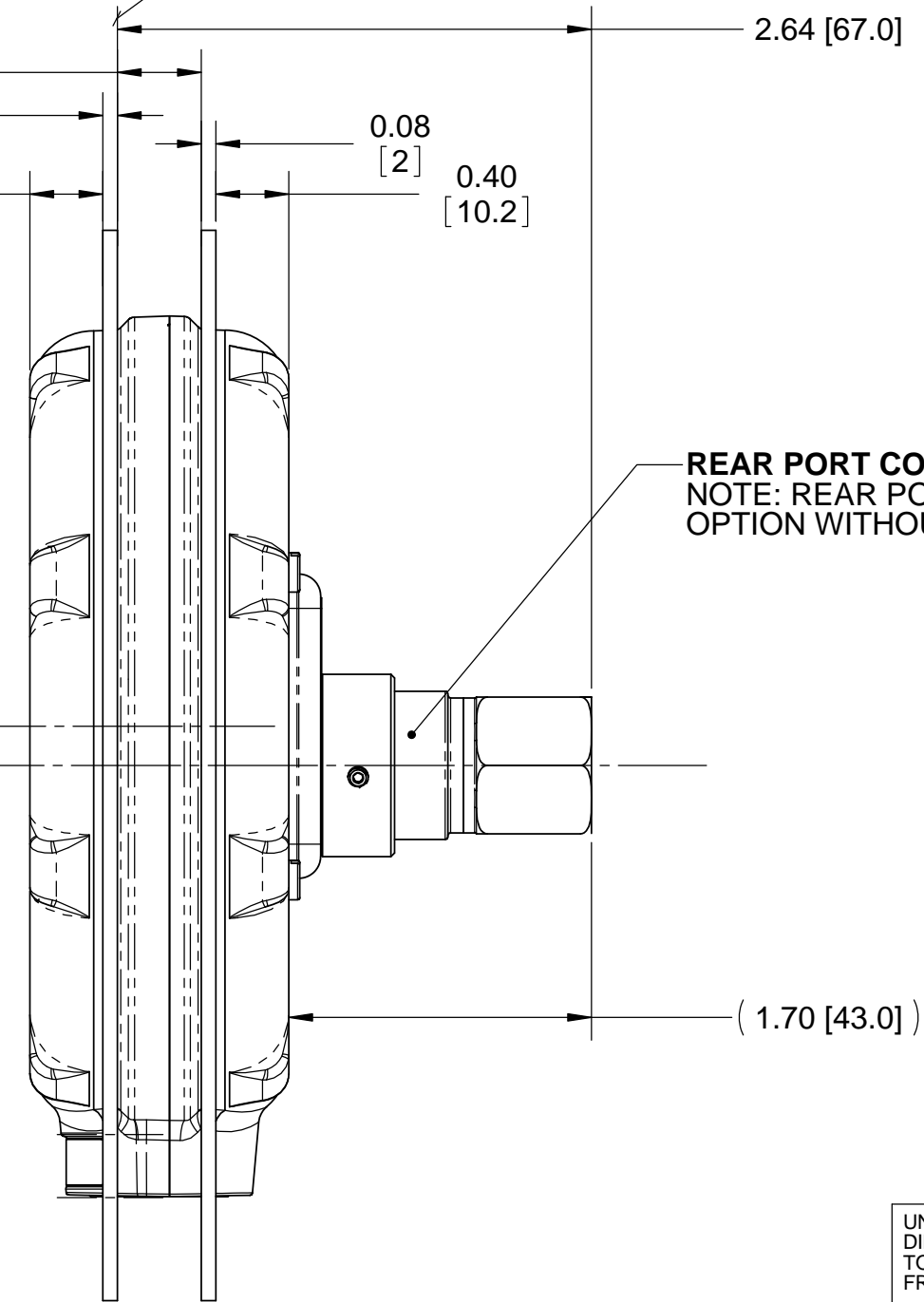
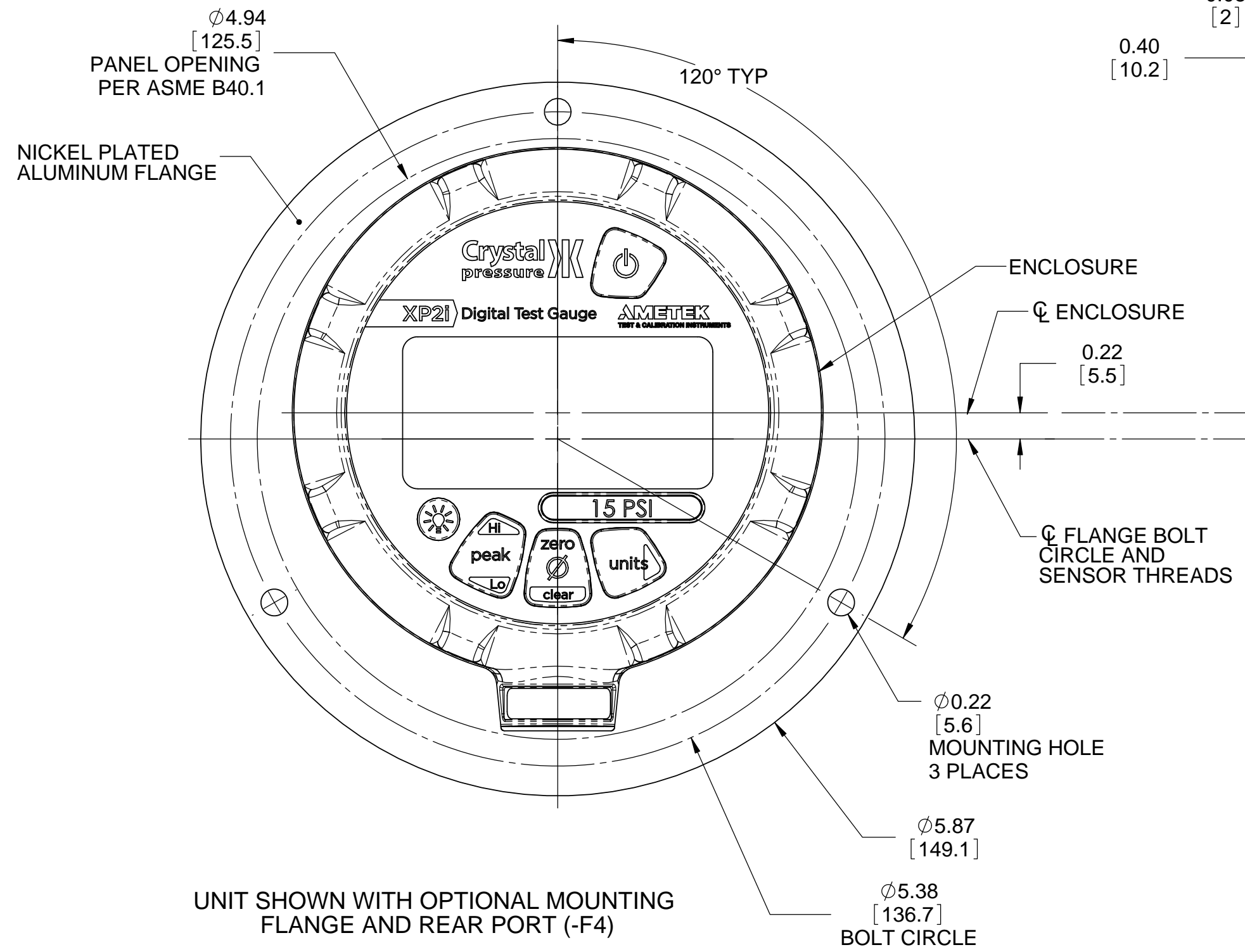


PROTECTIVE BOOT
 COLOR: BLUE
 MATERIAL: POLYPROPYLENE BLEND
 HARDNESS: 55 SHORE A

NOTES:
 REFER TO SHEET 1

UNIT SHOWN WITH OPTIONAL PROTECTIVE BOOT

SEE "XP2i FLANGE MOUNTING KIT ASSEMBLY INSTRUCTIONS" (CRYSTAL ENGINEERING P/N 3962) FOR FLANGE MOUNT PANEL CUT-OUT DIMENSIONS, TEMPLATE AND ASSOCIATED INFORMATION.



REAR PORT CONFIGURATION
 NOTE: REAR PORT IS AVAILABLE AS AN OPTION WITHOUT FLANGE (-RP)

UNIT SHOWN WITH OPTIONAL MOUNTING FLANGE AND REAR PORT (-F4)

PROPRIETARY NOTICE
 THIS DOCUMENT AND ANY DATA DISCLOSED HEREIN IS THE SOLE PROPERTY OF CRYSTAL ENGINEERING CORPORATION AND MAY NOT BE REPRODUCED, USED OR DISCLOSED IN PART OR IN WHOLE, TO ANYONE WITHOUT THE WRITTEN CONSENT OF CRYSTAL ENGINEERING CORPORATION.

UNLESS OTHERWISE SPECIFIED DIMENSIONS ARE IN INCHES TOLERANCES ARE: FRACTIONS DECIMALS ANGLES .XXX ± .005 .XXXX ± .001		CRYSTAL (805) 595-5477 engineering corporation www.crystalengineering.net	
APPROVALS		DATE	
DRAWN	M.J.Cain	9/26/12	
CHECKED	T.Leger	10/11/12	
MFG. ENGR.	M.J.Cain	10/11/12	
Q.A.	D.Porter	10/11/12	
SCALE: 1:1		SIZE	DRAWING NO.
		C	4994
DO NOT SCALE DRAWING		SHEET 2 OF 2	