

REVISIONS			
REV.	DESCRIPTION	DATE	APPROVED
0	RELEASED FOR PRODUCTION	11/27/07	ON FILE
A	UPDATED TO CPF VERSION	4/15/2011	ON FILE

SPECIFICATIONS:

PRESSURE RANGE: SEE PRESSURES AND RESOLUTIONS CHART

PRESSURE ACCURACY: 20 - 100% OF FULL SCALE ±(0.2% OF READING)
0 - 20% OF FULL SCALE ±(0.04% OF FULL SCALE)

VACUUM ACCURACY: (ONLY APPLIES TO 300 PSI AND LOWER PRESSURE GAUGES)
0 to -99.9 kPa (-14.5 PSIG): ±0.25% OF FULL SCALE
WHERE FULL SCALE: -99.9 kPa (-14.5 PSIG)

POWER: TWO AA (1.5V; LR6) BATTERIES .

DISPLAY:
NUMERAL HEIGHT: 0.66 IN (16.8mm)
RATE: 4 READINGS/SECOND

PRESSURE CONNECTION: CRYSTAL CPF SYSTEM: MEDIUM PRESSURE FEMALE (MPF) (1/4" MEDIUM PRESSURE TUBE SYSTEM WITH 7/16"-20 INTERNAL THREADS)

ENCLOSURE: POLYESTER/POLYCARBONATE BLEND.

ENCLOSURE RATING: IP65

PROTECTIVE BOOT:
COLOR: BLUE
MATERIAL: POLYPROPYLENE BLEND (PROPRIETARY)

WEIGHT: 11.7 oz (331 g)

PRESSURE PORT MEDIA COMPATABILITY: LIQUID AND GASES COMPATIBLE WITH 316L SS SENSOR.

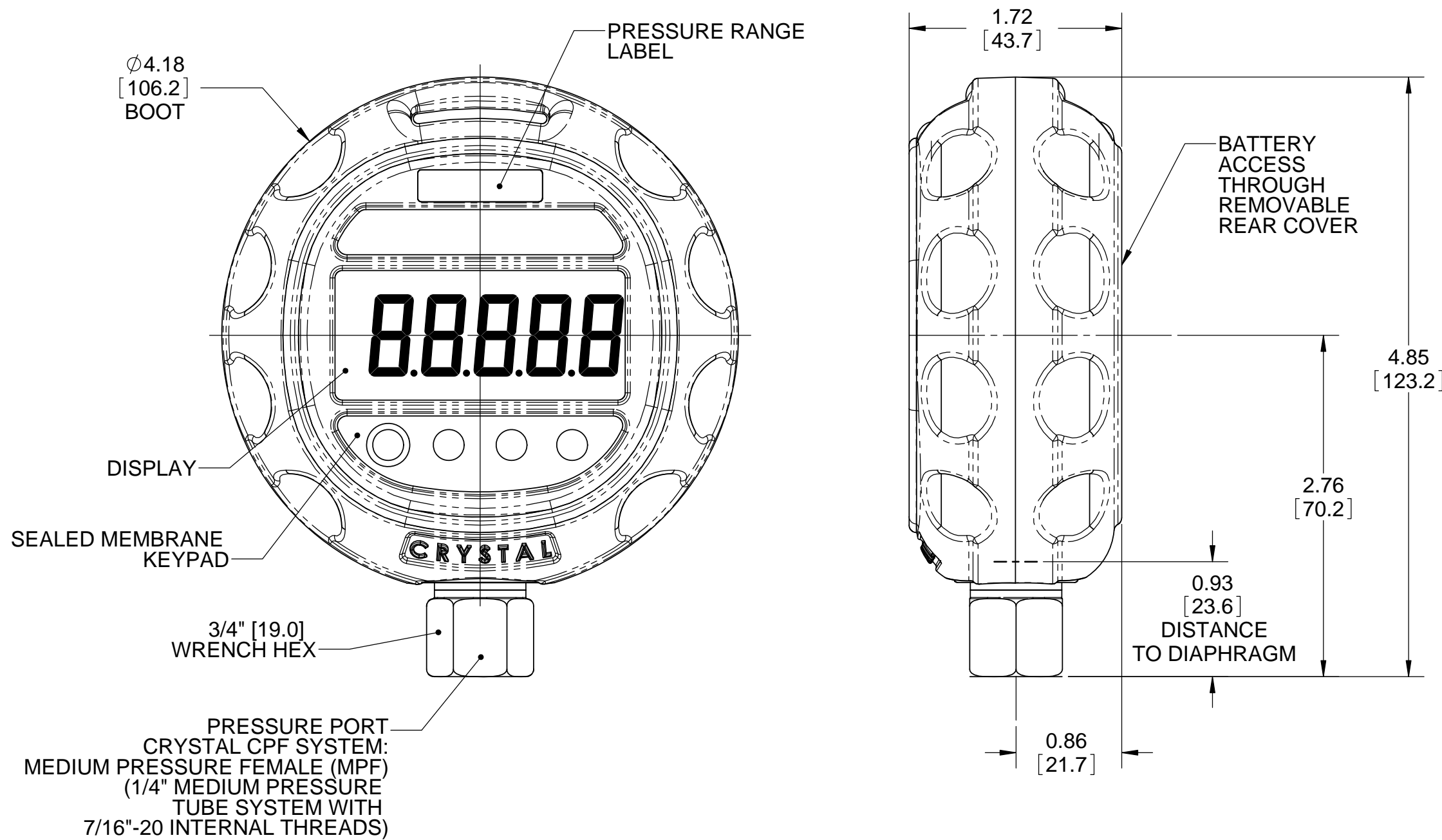
OPERATING AND COMPENSATED TEMPERATURE RANGE: -10°C TO +50°C (14°F TO 122°F).

STORAGE TEMPERATURE RANGE: -40°C TO +75°C (-40°F TO 167°F).

CERTIFICATIONS:
OTHER: CE

DIMENSIONS ARE IN INCHES [MILLIMETERS]

SPECIFICATIONS SUBJECT TO CHANGE WITHOUT NOTICE.



PRESSURE PORT
CRYSTAL CPF SYSTEM:
MEDIUM PRESSURE FEMALE (MPF)
(1/4" MEDIUM PRESSURE
TUBE SYSTEM WITH
7/16"-20 INTERNAL THREADS)

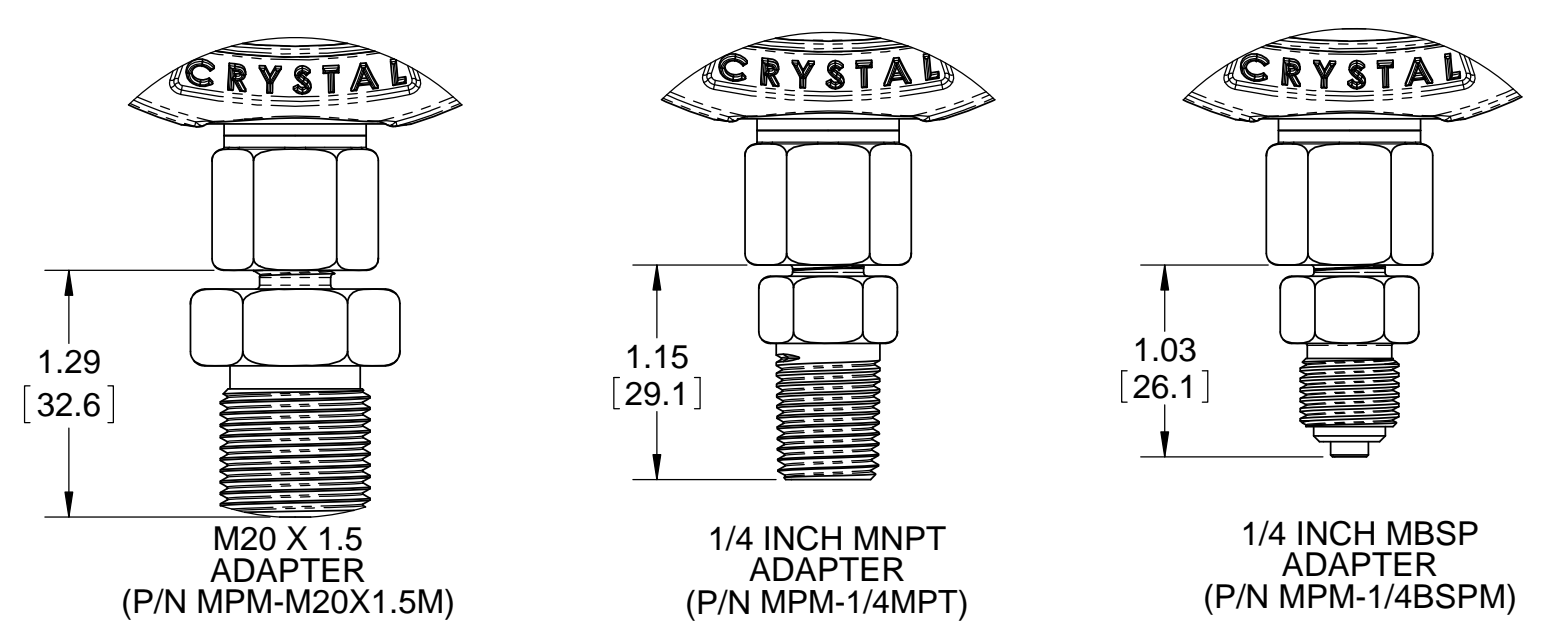
PRESSURES AND RESOLUTIONS

AVAILABLE PRESSURES					AVAILABLE UNITS AND DISPLAY RESOLUTIONS									
PSI	Bar	kPa	kg/cm2	ALLOWED OVERPRESSURE PSI	PSI	kg/cm2	"Hg	"H2O	mmHg	mmH2O	kPa	MPa	Bar	mBar
30	2	200	2	100	0.001	0.0001	0.01	0.1	0.1	1	0.01		0.0001	0.1
100				200	0.01	0.001	0.01	0.1	1	1	0.1	0.0001	0.001	1
	10	1000	10	200	0.01	0.001	0.01		1		0.1	0.0001	0.001	1
300	20	2000	20	600	0.01	0.001	0.1		1		0.1	0.0001	0.001	1
1000				2000	0.1	0.01	0.1				1	0.001	0.01	
	100	10000	100	2000	0.1	0.01	0.1				1	0.001	0.01	
3000	200	20000	200	4500	0.1	0.01	1				1	0.001	0.01	
10000	700	70000	700	15000	1	0.1	1					0.01	0.1	

VACUUM AND RESOLUTIONS

APPLICABLE PRESSURES				AVAILABLE UNITS AND DISPLAY RESOLUTIONS									
PSI	Bar	kPa	kg/cm2	PSI	kg/cm2	"Hg	"H2O	mmHg	mmH2O	kPa	MPa	Bar	mBar
30	2	200	2	0.001	0.0001	0.01	0.1	0.1	1	0.01		0.0001	0.1
100				0.01	0.001	0.01	0.1	1		0.1	0.0001	0.001	1
	10	1000	10	0.01	0.001	0.01		1		0.1	0.0001	0.001	1
300	20	2000	20	0.01	0.001	0.1		1		0.1	0.0001	0.001	1

ADDITIONAL SENSOR LENGTH WITH OPTIONAL FITTING ADAPTERS



UNLESS OTHERWISE SPECIFIED DIMENSIONS ARE IN INCHES
TOLERANCES ARE:
FRACTIONS DECIMALS ANGLES
.XXX ± .005
.XXXX ± .001

CRYSTAL (805) 595-5477
engineering corporation www.crystalengineering.net

PROPRIETARY NOTICE
THIS DOCUMENT AND ANY DATA DISCLOSED HEREIN IS THE SOLE PROPERTY OF CRYSTAL ENGINEERING CORPORATION AND MAY NOT BE REPRODUCED, USED OR DISCLOSED IN PART OR IN WHOLE, TO ANYONE WITHOUT THE WRITTEN CONSENT OF CRYSTAL ENGINEERING CORPORATION.

APPROVALS		DATE	M1 SERIES PRESSURE GAUGE			
DRAWN	M.J.Cain	11/21/07	SCALE: 1:1	SIZE C	DRAWING NO. 3666	
CHECKED	D.Porter	11/27/07				REV A
MFG. ENGR.	M.J.Cain	11/27/07				
Q.A.	M.Merrill	11/27/07	DO NOT SCALE DRAWING	SHEET 1 OF 1		